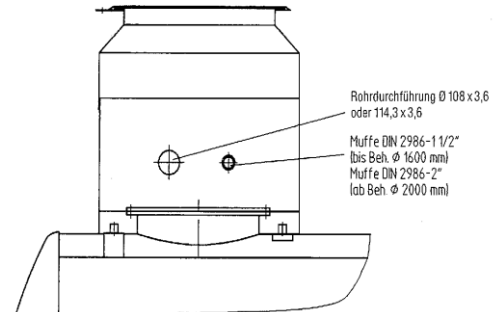


## Price list Sheet 2.2.130

### Manhole pits

made of steel acc. to DIN 6626 and DIN 6627  
for tanks for underground storage

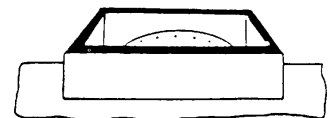
Completed manhole pits of steel acc. to DIN 6626  
The delivery takes place in one or two pieces or -from an overall height of 3000 mm (tank diameter + lower part) - in three pieces to enable the transport.  
If the shaft is adjustable in height, the lower part of the shaft is welded on liquid-tightly at the height of 600 mm.  
The upper part has to be attached on site and the interspace has to be sealed durably and flexibly.  
Height adjustable from 800-1000 mm by 4 set screws. The middle part of three-part shafts has to be welded and re-insulated on site.  
**Surface treatment:** Outside bitumeninsulation, inside anti-rust priming coat. on untreated surface.  
**Pipe holes:** 1x pipe 108 x 3,6 or 114,3 x 3,6 / 1 coupling 2" or 1½" double-sided (Variations possible according to your requirements)



Manholes acc. to DIN 6626 **without cover.** For covers see pricelist **Sheet 2.2.131**

	EUR
<b>For walkable section, one-piece</b>	
Manhole 1000 x 1000 x 1000 mm hoch one-piece	1.695,-
Manhole 1100 x 1100 x 1000 mm hoch one-piece	1.840,-
Double-manhole 2000 x 1000 x 1000 mm hoch one-piece	3.130,-
<b>For walkable and driveable section, height adjustable</b>	
2- parts up to diameter 2500 mm	
3-parts for diameter 2900 mm	
Manhole 1000 x 1000 x 800-1000 mm	2.005,-
Manhole 1100 x 1100 x 800-1000 mm	2.180,-
Double-manhole 2000 x 1000 x 800-1000 mm	3.195,-
<b>Additional price for increased height per 100 mm</b>	
Measure 1000 x 1000 mm	105,-
Measure 1100 x 1100 mm	110,-
Measure 2000 x 1000 mm	175,-
<b>Additional price for synthetic coating outside Epoxy</b>	
Measure 1000 x 1000 x 1000 mm	470,-
Measure 1100 x 1100 x 1000 mm	515,-
Measure 2000 x 1000 x 1000 mm	850,-
<b>Additional price for internal coating of manhole acc. to TRbF 401/402</b>	
Measure 1000 x 1000 x 1000 mm	455,-
Measure 1100 x 1100 x 1000 mm	515,-
Measure 2000 x 1000 x 1000 mm	770,-
<b>Additional pipe holes</b>	
up to DN 100	155,-
up to DN 200	155,-
up to DN 300	155,-

<b>Manhole collar acc. to DIN 6627</b>		
a) Square	1060 x 1060 x 200 mm high	785,-
b) rectangular	2000 x 1000 x 200 mm high	1380,-
	1100 x 1100 x 100 mm high for GFK - manhole drilled	930,-
	2200 x 1100 x 100 mm high for GFK - manhole drilled	1645,-



Pricing: CPT agreed destination in Germany (continent), not unloaded plus VAT  
All prices are only valid if the delivery takes place together with the tank, net ex works, unpacked.  
The prices are valid unless disclaimed. Net plus VAT.