



Price list Sheet 2.2.120

KRAMER COMPACT-TANK-L

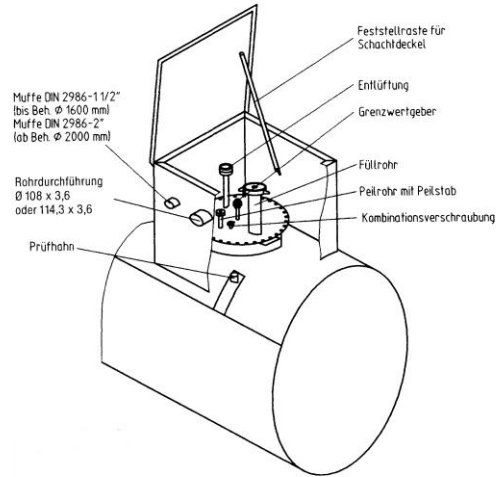
Storage tank of steel for underground storage.
Double walled acc. to DIN 6608/2
Bitumen insulation outside acc. to DIN 6607

Scope of delivery:

- Storage tank acc. to DIN 6608/D
- Manhole pit acc. to ordered type
- Armature for fuel oil (Filling pipe 2", suction set, ventilation flap 1 1/2" Bearing tube 1", dip stick made of aluminium, black anodized, in cm-divisions
- Vacuum - leak indicator, pre-assembled, consisting of:
Loose electric device, dry filter and PVC-connection tubes 2 x 20 m
- Limit indicator
- completely pre-assembled

Dome design: (General measures 1000 x 1000 mm)

- Type 1** 800 mm high, one-piece,
with walkable and rainproof shaft cover, galvanized / Aluminium
- Type 2** 800-1000 mm high, 2-parts, adjustable in height
with walkable and rainproof shaft cover, galvanized / Aluminium
- Type 3** 800-1000 mm hoch, 2-parts, adjustable in height
driveable and rainproof shaft cover (checked to 100kN), galvanized



Nominal volume	Diameter mm	max. length ca. / kg	Weight ca. / kg	Version	Shaft Type 1	Shaft Type 2	Shaft Type 3
3.000	1.250	2.770	1.180	Normal	8.010,-	8.520,-	9.190,-
3.000	1.250	2.770	1.180	Super	8.990,-	9.405,-	10.145,-
5.000	1.600	2.850	1.465	Normal	8.240,-	8.775,-	9.440,-
5.000	1.600	2.850	1.465	Super	9.060,-	9.555,-	10.185,-
7.000	1.600	3.740	1.760	Normal	8.780,-	9.290,-	9.830,-
7.000	1.600	3.740	1.760	Super	9.930,-	10.420,-	10.960,-
10.000	1.600	5.335	2.325	Normal	10.195,-	10.710,-	11.240,-
10.000	1.600	5.335	2.325	Super	11.700,-	12.195,-	12.735,-
13.000	1.600	6.930	3.005	Normal	11.725,-	12.220,-	12.775,-
13.000	1.600	6.930	3.005	Super	13.500,-	13.995,-	14.550,-
16.000	1.600	8.525	3.515	Normal	13.550,-	14.050,-	14.605,-
16.000	1.600	8.525	3.515	Super	15.755,-	16.255,-	16.795,-
20.000	2.000	6.830	3.930	Normal	14.625,-	15.110,-	15.640,-
20.000	2.000	6.830	3.930	Super	17.080,-	17.550,-	18.105,-
25.000	2.000	8.370	4.630	Normal	16.420,-	16.925,-	17.470,-
25.000	2.000	8.370	4.630	Super	19.145,-	19.635,-	20.185,-
30.000	2.000	9.910	5.500	Normal	18.925,-	19.435,-	19.965,-
30.000	2.000	9.910	5.500	Super	22.140,-	22.640,-	23.190,-

Standard version: Double walled storage tank acc. to DIN 6608/D, inside untreated, outside bitumen insulation, 2 year warranty acc. to VOB

Super version: double walled storage tank acc. to DIN 6608/D, "super"-shell inside, outside bitumen insulation, 10 year partial warranty on impermeability from inside

As certified specialist acc. to § 19 L WHG (water resources law) we are allowed to supervise the installation of the tank. Please see our price list sheet 2.2.161.

KRAMER Compact-Tank-S

Single and double walled storage tank acc. to DIN 6619

Price on demand

Pricing: CPT agreed destination in Germany (continent), not unloaded plus VAT
The prices are valid unless disclaimed.
Net plus VAT.

Non-binding retail price. Technical alterations reserved. All prior price lists become invalid by publication of this list.